

XF-PTL35008-C

Specification

Optical structure	Bi-Telecentric
Magnification	0.0229
Object field of view	$\phi 349.3\text{mm}$
Image field of view	$\phi 8\text{mm}$
Working Distance	$540\text{mm} \pm 3\%$
Telecentricity	$< 0.05^\circ (0.06^\circ)$
Depth of field	1072.5mm
F#	F5.5
Resolution	$158.55\mu\text{m}$
MTF	$> 0.3 @ 185\text{lp/mm}$
Distortion	$< 0.095\% (0.128\%)$
Detector type:	

1/2'	6.4×4.8	279.5×209.6mm
1/2.3'	6.2×4.6	270.7×200.9mm
1/2.5'	5.8×4.3	253.3×187.8mm
1/3'	4.8×3.6	209.6×157.2mm

XF-PTLAAABB-C/F/P/M- (L90E) - (VI)

The fourth generation lens of Canrill

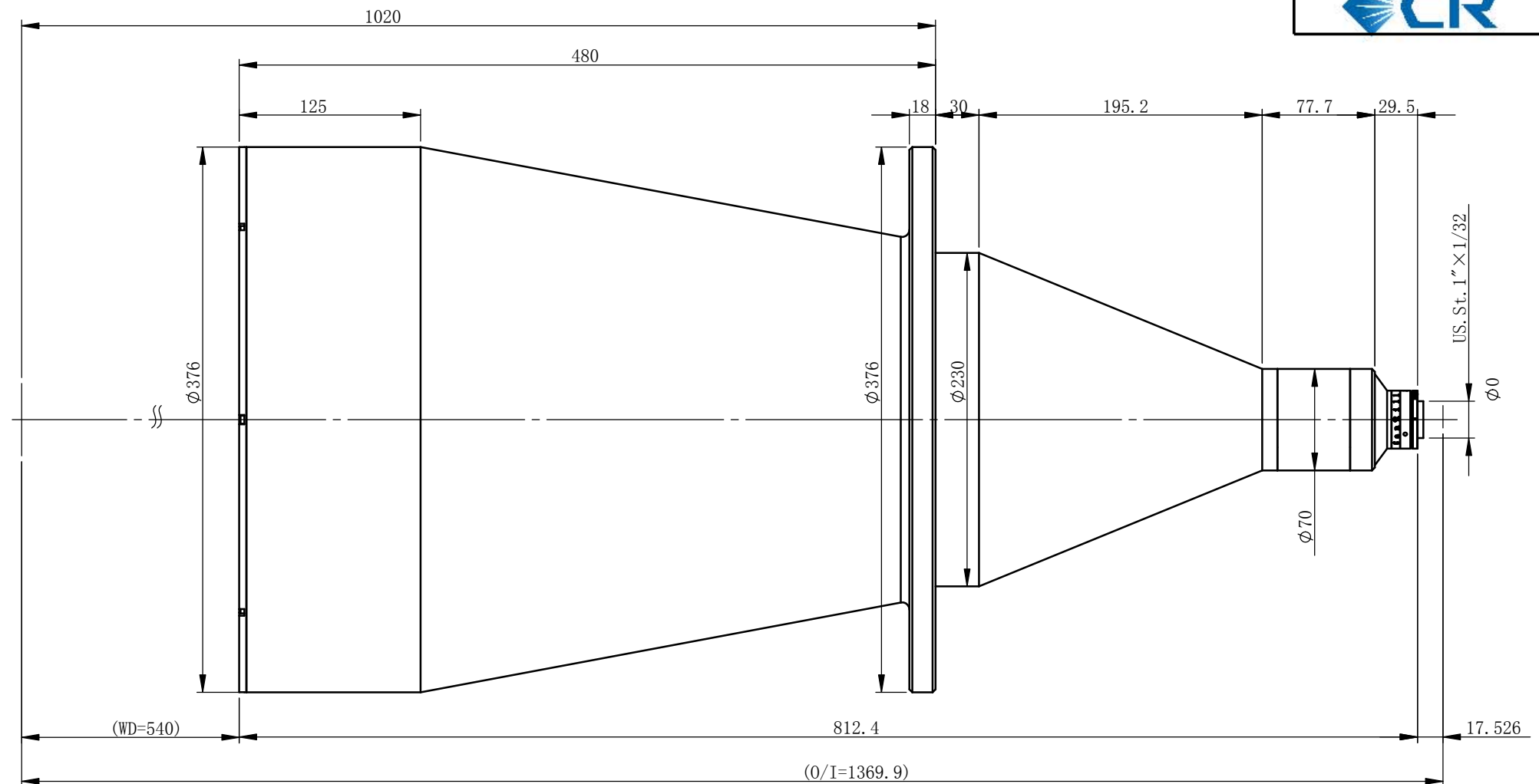
The camera mount (M & P mount need specify BFL)

Variable aperture option

Object FOV

90° Steering option

Image FOV



Undefined tolerance (mm)	degree	File Name		
X. X	± 0.2	$\pm 30\text{min}$	XF-PTL35008-C-外形尺寸-EN	
X. XX	± 0.02	Drawing Name		
X. XXX	± 0.005	Drawing Size: A3		
	Sign	Data/Ver.	Material	Ratio
Design				1:5
Modify1			Qty	
Modify2			Total:	Page:
			<small>All design and drawings are intellectual property of Canrill Optics, can not be copied without Canrill's authorization.</small>	