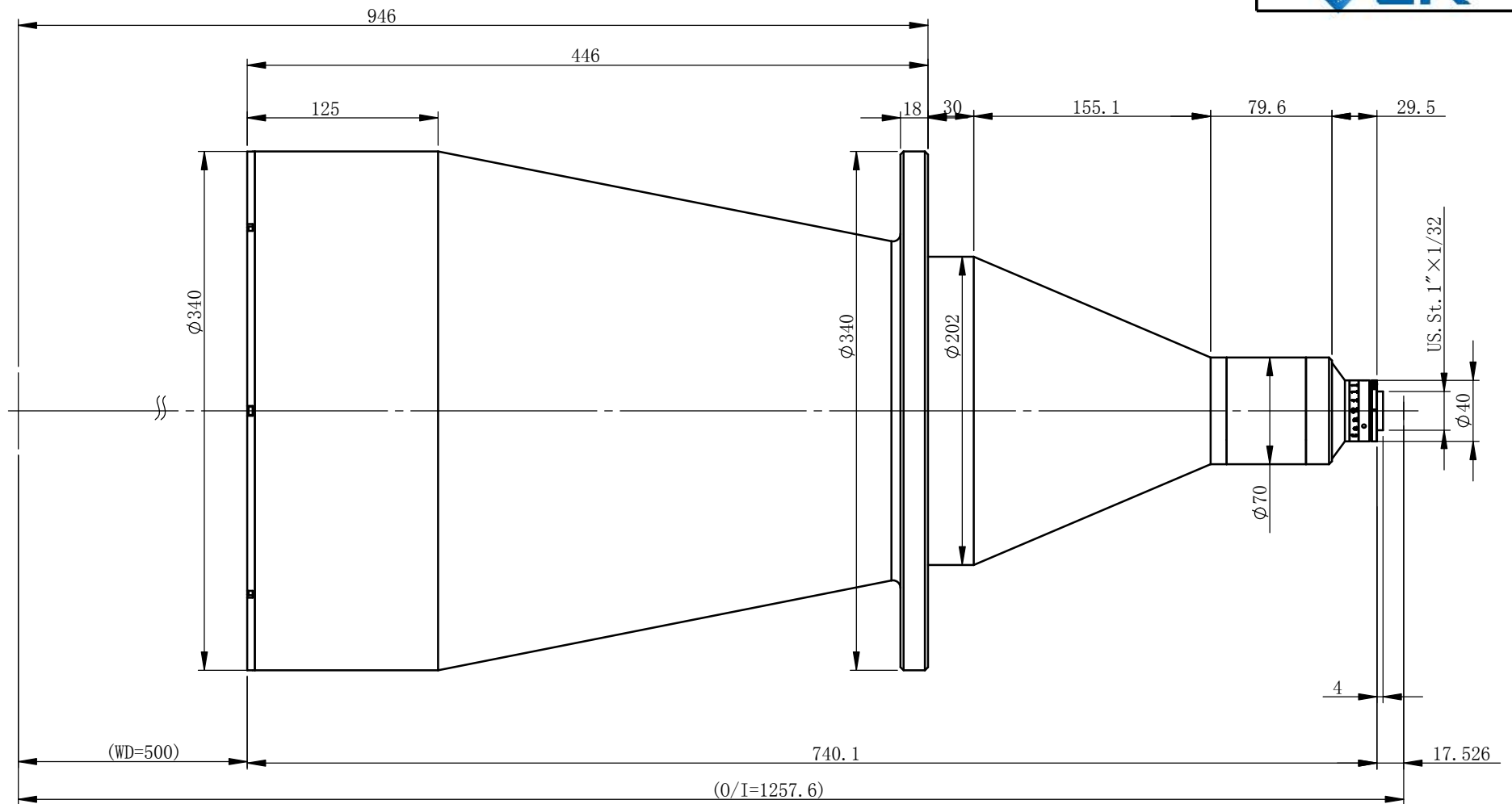


## XF-PTL31008-C



### Specification

Optical structure	Bi-Telecentric
Magnification	0.0258
Object field of view	$\Phi 310.1\text{mm}$
Image field of view	$\Phi 8\text{mm}$
Working Distance	500mm±3%
Telecentricity	<0.04°(0.06°)
Depth of field	872.5mm
F#	F5.5
Resolution	140.5 $\mu\text{m}$
MTF	>0.3@185lp/mm
Distortion	<0.095%(0.128%)
Detector type:	

1/2' 6.4x4.8	248.1x186.0mm
1/2.3' 6.2x4.6	240.3x178.3mm
1/2.5' 5.8x4.3	224.8x166.7mm
1/3' 4.8x3.6	186.0x139.5mm

**XF-PTLAAABB-C/F/P/M- (L90E) - (VI)**

The fourth generation lens of Canrill

The camera mount (M & P mount need specify BFL)

Variable aperture option

Object FOV

90° Steering option

Image FOV

Undefined tolerance (mm)	degree	File Name		
X. X	±0.2	±30min	XF-PTL31008-C-外形尺寸-EN	
X. XX	±0.02	Drawing Name		
X. XXX	±0.005	Drawing Size: A3		
	Sign	Data/Ver.	Material	Ratio
Design				1:5
Modify1			Qty	
Modify2			Total:	
			Page:	

All design and drawings are intellectual property of Canrill Optics, can not be copied without Canrill's authorization.